

Tilt Shelves (5 High)

The Tilt range is made out of American white oak and is made up of dining, coffee and side tables with a modular shelving design completing the collection. The cohesive feature throughout all the pieces is the square leg that sits at a 45-degree angle, this particular detail is especially relevant on the shelving, enabling you to join two units together side by side or extend two units into three by adding extra shelves in the middle meaning you can customise the shelving to suit a variety of spaces.

Designed in New Zealand by Città



MATERIAL

American Oak/Oak Veneer

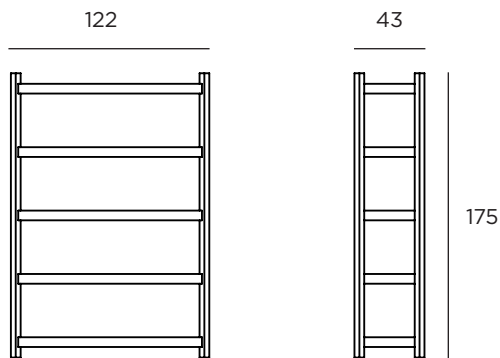
COLOUR

Natural Oak TSF0049XL



DIMENSIONS

	Box 1	Box 2
Packaged	118.5x43.5x23.5cmh	178.5x11.5x11cmh
Assembled	122x43x175cmh	



ASSEMBLY

Assembly required

WEIGHT

	Box 1	Box 2
Packaged	42.7kg	10.8kg
Assembled	40.2kg	9.3kg

CARE/CLEANING INSTRUCTIONS

Clean with a soft; damp cloth and water only; do not use chemical cleaners on any surfaces. Avoid leaving water sitting on the wood as this can cause small spots and permanent marks - wipe immediately with a dry cloth. Wipe the lacquered surface using straight strokes; not in a circular direction. After wiping the area; use a dry cloth to (remove buff) remove any moisture left on the surface. We do not recommend placing your furniture in direct sunlight or near sources of heat. This is due to the natural characteristics of wood as it expands and contracts with changes in temperature and humidity. Placing your furniture in these environments may cause the timber to dry out; shrink; warp or crack. Do not place hot or sharp objects on the surface of the wood as this can cause irreparable damage. Also avoid using any harsh solvents such as nail polish remover/alcohol at all times.