







TILT SHELVING

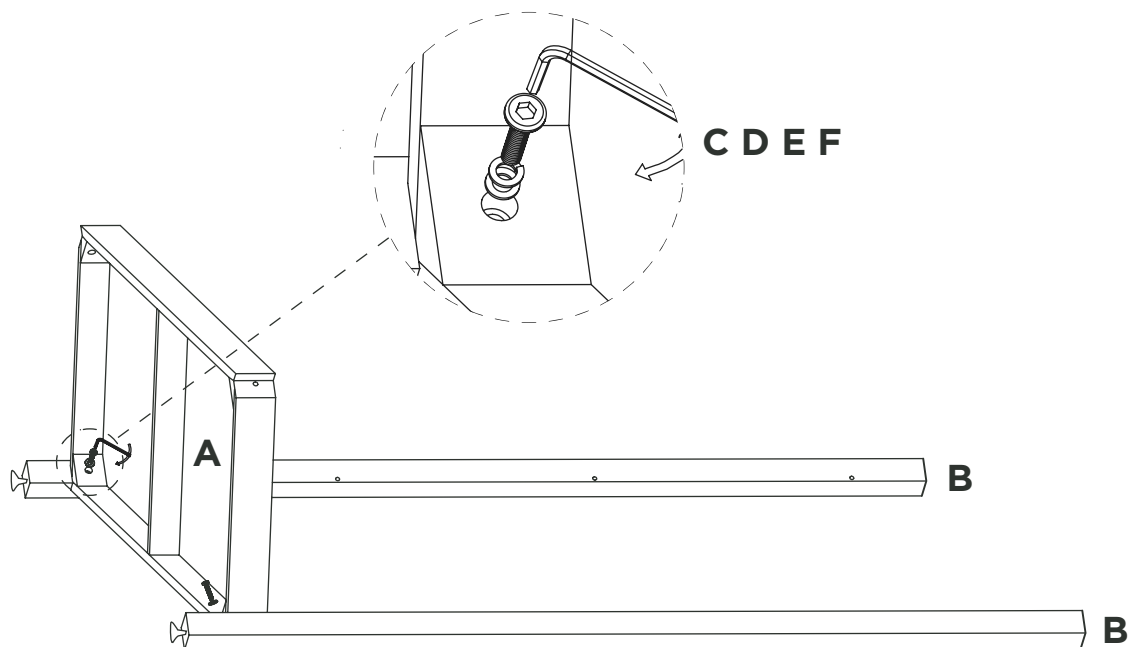
CITTÀ

Assembly Instructions - Basic Unit

| | | | |
|---|---|--|---|
| A. Tilt shelf | | B. Upright with foot | |
|  | |  | |
| C. Bolt | D. Washer | E. Spring Washer | F. Allen Key |
|  |  |  |  |

Begin the assembly by placing two uprights on a soft surface, making sure you have the adjustable feet at the bottom of the unit. There will always be a set of nut-serts visible on the outside of every upright, these enable the shelving to be modular. Attach the first shelf using the bolts, washers and allen key provided.

1.

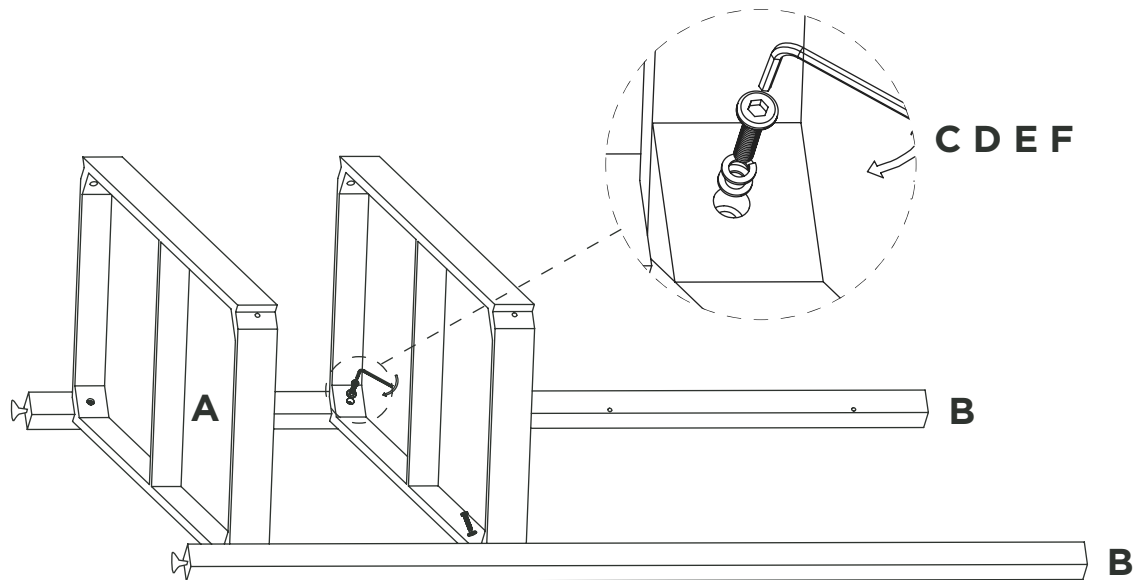


TILT SHELVING

CITTÀ

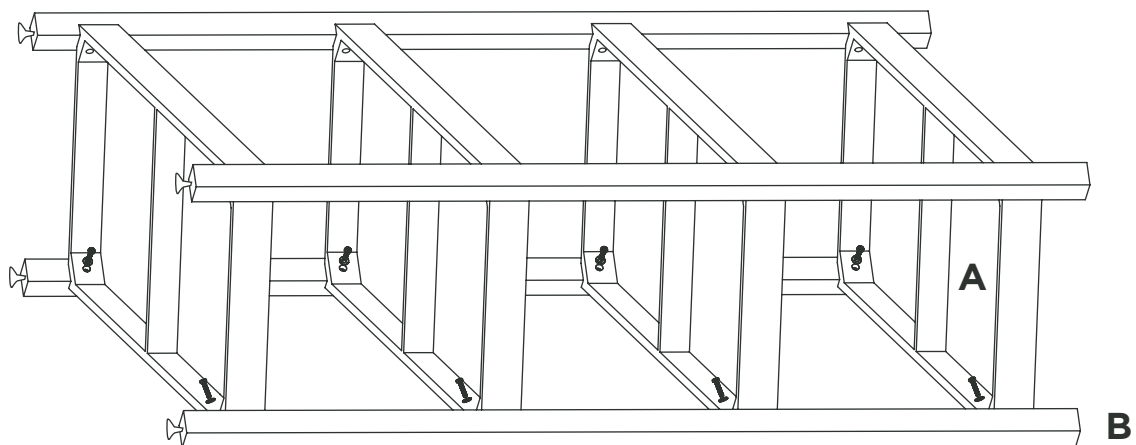
Assembly Instructions - Basic Unit

2. Continue attaching the remaining shelves using the bolts, washers and allen key provided, until all the shelves are attached to two uprights.



3. To attach the last two uprights, turn the unit over and repeat the same process as before using all the remaining bolts and washers. You will need two people to complete this last stage as the units are now quite heavy.

If you are continuing to add more shelves, leave the unit on its back and repeat the same steps on the rest of the units - see page 4 for assembly instructions.

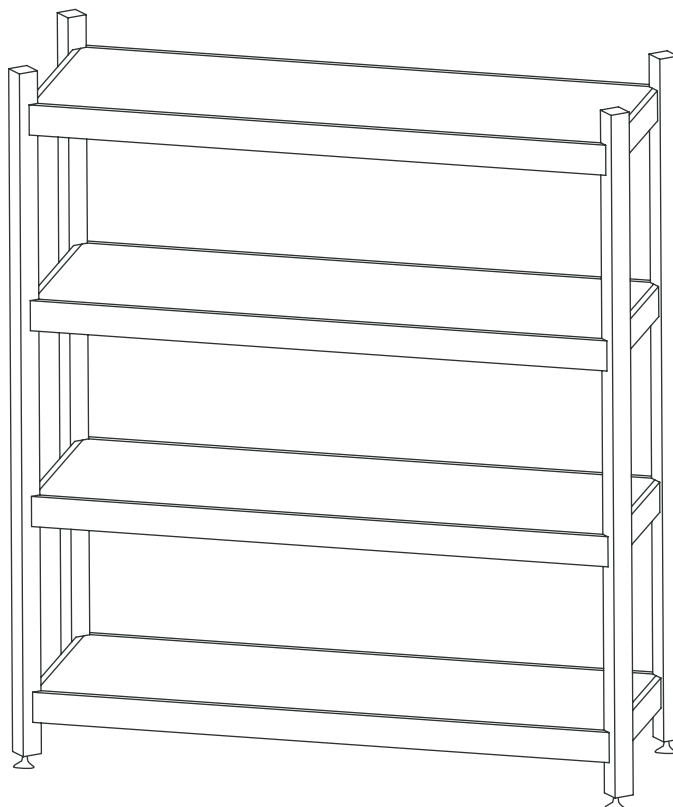


TILT SHELVING

CITTÀ

Assembly Instructions - Basic Unit

4. Always use at least two people to lift the unit into its upright position. If the floor is uneven, wind the adjustable feet up or down until the entire unit is sitting level.

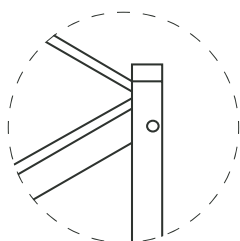


TILT SHELVING

CITTÀ

Assembly Instructions - Multiple Unit Assembly

Once you have completed the first unit, leave the unit on its back and repeat the same steps on the rest of the units. Depending on how you arrange your shelving, you will either need to add extra shelves or use less uprights to complete it. Examples are below.

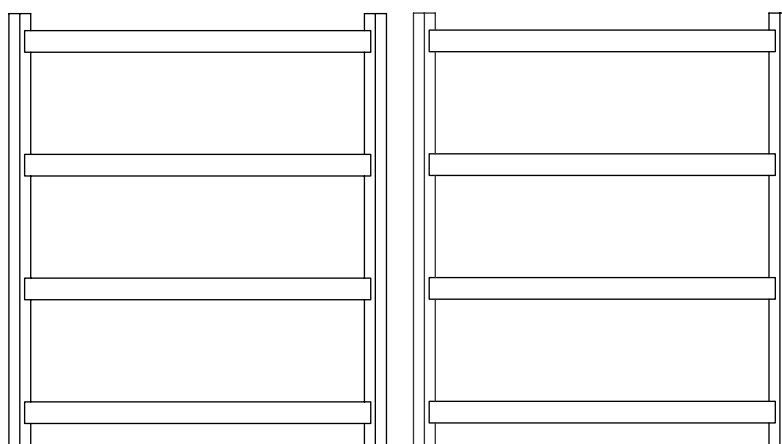


This drawing shows the extra nut-serts on the outside of the upright where you attach extra shelves.

Example One

2 x 4 shelf units

(Less two uprights, however please keep hold of the two uprights for any potential future use, whenever you have an even amount of bays you will always end up with a spare pair of uprights).



Example Two

1 x 5 shelf unit
1 x 3 shelf unit
2 x individual shelves

(Whenever you have an uneven amount of bays you can simply buy individual shelves and add them in between full sets of shelves).

